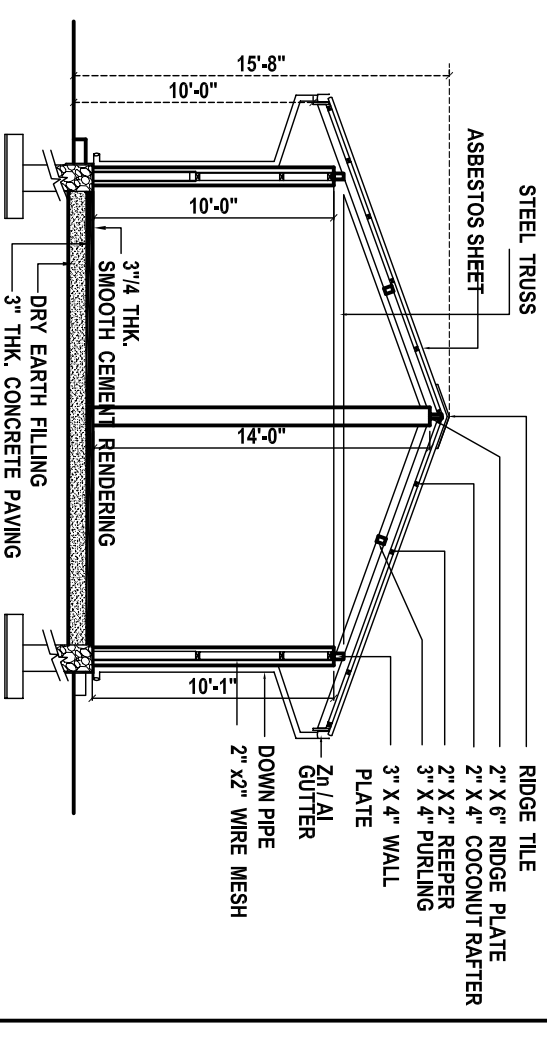
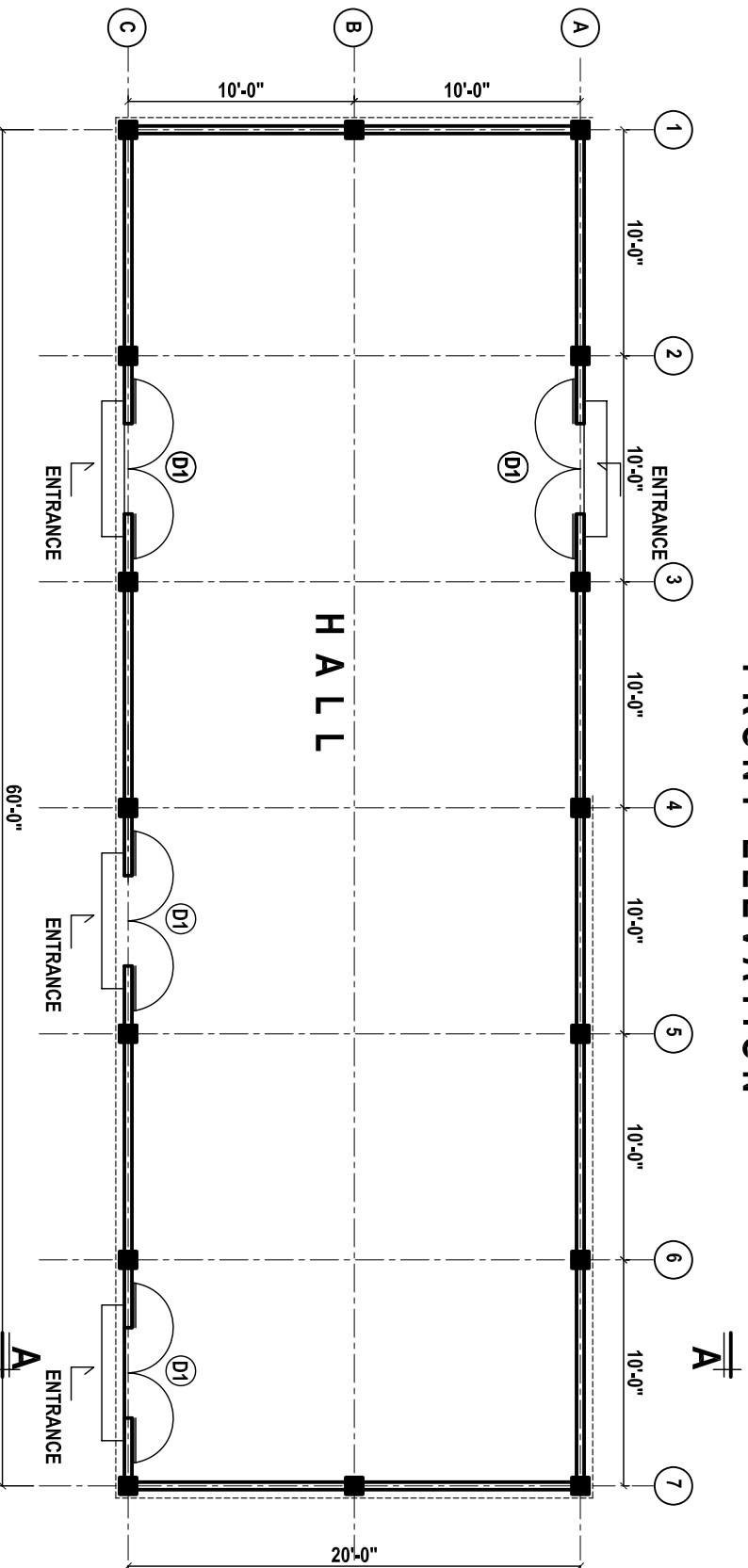


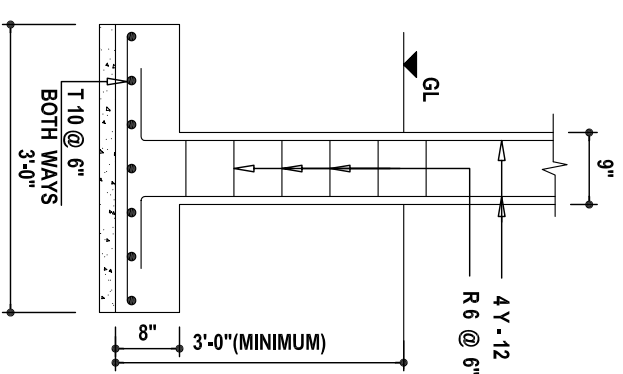
**FRONT ELEVATION**



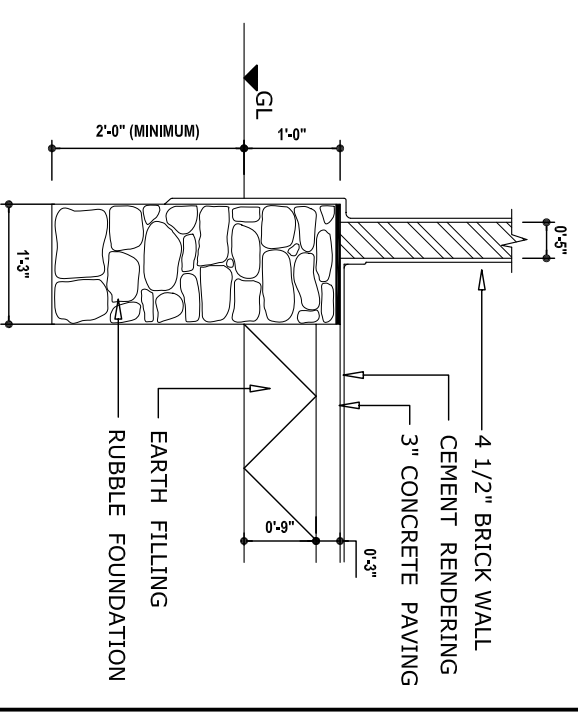
**SECTION A-A**



**FLOOR PLAN**



**DETAILS OF COLUMN FOOTING**  
SCALE - 2' - 0" = 1"



**FOUNDATION DETAILS**  
SCALE - 2' - 0" = 1"

**PROPOSED BUILDING FOR PRE - SCHOOL  
AT HAMULUGALA ARANNYA SENASANAYA**

FLOOR AREA = 1200.00 sq.ft.

SCALE - AS SHOWN

DATE - 24-05-2010